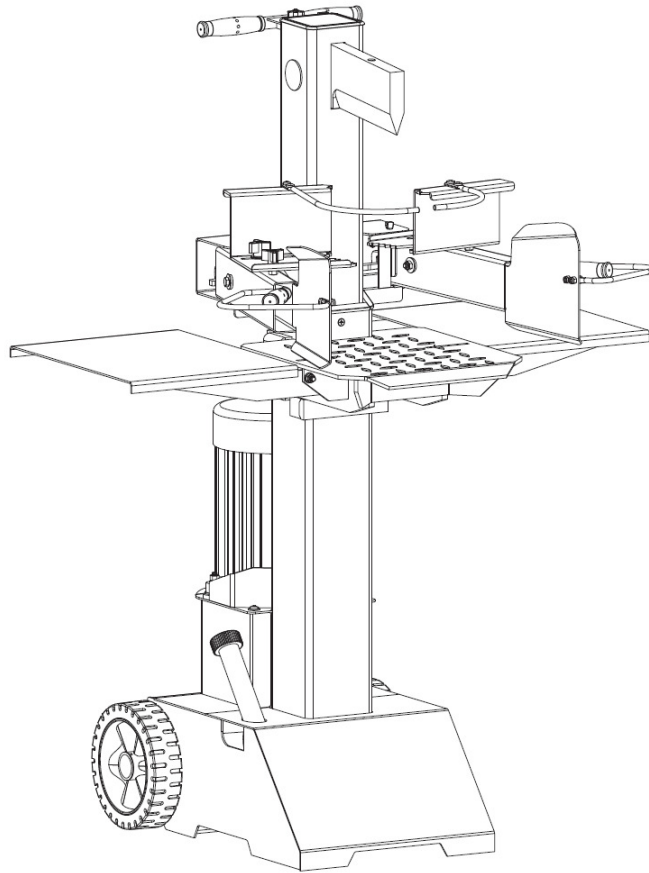


# VARI®



## FOR YOUR SAFETY

**READ AND UNDERSTAND THE ENTIRE MANUAL  
BEFORE OPERATING THE MACHINE**

MODEL: VARI 8 TON SUPER FORCE  
SERIAL NUMBER:

Both model number and serial number may be found on the main label.  
You should record both of them in a safe place for future use.

**Save This Manual for Future Reference**

**VERTICAL LOG SPLITTER**  
Instructions for use (Original instructions for use) 2018

## TABLE OF CONTENTS

INTRODUCTION .....	2
ENVIRONMENT .....	3
SYMBOLS .....	3
SAFETY .....	4
SPECIFICATIONS.....	8
APPLICATION CONDITIONS .....	8
ELECTRICAL REQUIREMENTS.....	8
UNPACKING .....	9
CONTENTS OF THE SHIPPING CONTAINER.....	9
KNOW YOUR MACHINE .....	10
ASSEMBLY .....	11
TRANSPORT .....	13
DELIVERING LOG SPLITTER TO WORK SITE .....	13
SPLITTER OPERATION .....	13
REPLACING HYDRAULIC OIL .....	16
SHARPENING WEDGE .....	17
TROUBLESHOOTING .....	17
WIRING DIAGRAM      PLUMBING DIAGRAM.....	18
PART LIST .....	20
DISPOSAL OF PACKAGING AND MACHINE AFTER THE END OF SERVICE LIFE .....	22
INSTRUCTIONS FOR ORDERING SPARE PARTS.....	22
ADDRESS OF THE MANUFACTURER.....	23
ADDRESS OF THE IMPORTER AND DISTRIBUTOR .....	23
EC DECLARATION OF CONFORMITY .....	24

*Edition 2018. The manufacturer reserves the right to introduce technical modifications and innovations, which do not affect the function and safety of the machine. These modifications may not necessarily be specified in this user manual. Printing errors reserved.*

## INTRODUCTION

Your new log splitter will more than satisfy your expectations. It has been manufactured under stringent quality standards to meet superior performance criteria. You will find your new unit easy and safe to operate, and with proper care, it will give you many years of dependable service.



Carefully read through this entire operator's manual before using your new log splitter. Take special care to heed the cautions and warnings.

## ENVIRONMENT



Recycle unwanted materials instead of disposing of them as waste. All tools, hoses and packaging should be resorted, taken to the local recycling centre and disposed of in an environmentally safe way.

## SYMBOLS

The rating plate on your machine may show symbols. These represent important information about the product or instructions on its use.



Read these instructions in full before using the machine.



Wear safety footwear!



Wear protective gloves!



Wear eye protection!  
Wear hearing protection!



Keep your work space tidy!  
Untidiness may result in accidents.



Do not remove or tamper with any protection or safety devices.



Dispose of the used oil in an environment-friendly way.



Do not use in the rain.



Danger! Keep clear of moving parts!



Do not remove jammed logs with your hands.



Before starting any repairs, maintenance or cleaning, always disconnect the power.



Avoid injury from the movement of the splitting blade.



Keep bystanders away from the working area.

## SAFETY

### SAFETY WARNINGS & INSTRUCTIONS

#### • UNDERSTAND YOUR LOG SPLITTER

Read and understand the owner's manual and labels affixed to the log splitter. Learn its application and limitations as well as the specific potential hazards peculiar to it.

#### • DRUGS, ALCOHOL AND MEDICATION

Do not operate the log splitter while under the influence of drugs, alcohol or any medication that could affect your ability to use it properly.

- **AVOID DANGEROUS CONDITIONS**

Always operate your log splitter on dry, solid, level ground. Never operate your log splitter on slippery, wet, muddy or icy surfaces. The location you choose should be free from any tall grass, brush or other interferences. There should be plenty of room for handling and help the operator stay alert. Keep your work area clean and well lighted. Cluttered areas invite injuries. To avoid tripping, do not leave tools, logs or other components lying around the work area. Do not use the log splitter in wet or damp areas or expose it to rain. Do not use it in areas where fumes from paint, solvents or flammable liquids pose a potential hazard.

- **INSPECT YOUR LOG SPLITTER**

Check your log splitter before turning it on. Keep guards in place and in working order. Form a habit of checking to see that keys and adjusting wrenches are removed from tool area before turning it on. Replace damaged, missing or failed parts before using it. Make sure all nuts, bolts, screws, hydraulic fittings, hose clamps, etc. are securely tightened. Always check the oil level in the hydraulic oil tank. Never operate your log splitter when it is in need of repair or is in poor mechanical condition.

- **DRESS PROPERLY**

Do not wear loose clothing, gloves, neckties or jewellery (rings, wrist watches). They can be caught in moving parts. Protective, electrically non-conductive gloves and non-skid footwear are recommended when working. Wear protective hair covering to contain long hair, preventing it from get caught in machinery.

- **PROTECT YOUR EYES AND FACE**

Any log splitter may throw foreign objects into the eyes. This can cause permanent eye damage. Always wear safety goggles. Everyday eyeglasses have only impact resistant lenses. They are not safety glasses.

- **EXTENSION CORDS**

Improper use of extension cords may cause inefficient operation of the log splitter, which can result in overheating. Be sure the extension cord is not longer than 10 m and its section is not less than 2.5 mm<sup>2</sup> to allow sufficient current flow to the motor. Avoid use of free and inadequately insulated connections. Connections must be made with protected material suitable for outdoor use.

- **AVOID ELECTRICAL SHOCK**

Check that the electric circuit is adequately protected and that it corresponds with the power, voltage and frequency of the motor. Check that there is a ground connection, and a regulation differential switch upstream. Ground the log splitter. Prevent body contact with grounded surfaces: pipes, radiators, ranges, and refrigerator enclosures. Never open the switch / plug box. Should this be necessary, contact a qualified electrician. Make sure your fingers do not touch the plug's metal prongs when plugging or unplugging the log splitter.

**For model 65887A:**

After installation, the degree of protection of the BSI and the SEV approved plug and socket combination shall be IP44D at least.

Avoid excessive bending and twisting of the connection between the power cord of

the British plug and the junction box.

- **PREVENT FIRES**

Do not smoke or have open flames when operating or refilling the log splitter. Never operate the log splitter near a flame or candle. Oil is flammable and can explode.

- **KEEP BYSTANDERS AWAY**

Allow only one person to load and operate the log splitter. Always keep bystanders, including visitors, children and pets away from the work area, especially when the log splitter is under operation. Only the operator should stand near the machine and only within the safe operating area prescribed in this manual. Never use other people to help you with freeing jammed log. No one under the age of 16 should be allowed to operate the log splitter. Any individual under the age of 18 should have the necessary training, skills to perform the functions properly and safely and should always be under the supervision of an adult.

- **INSPECT YOUR LOG**

Never attempt to split logs containing nails, wire or debris. Always make sure that both ends of the log you are splitting are cut as square as possible. This will prevent the log from sliding out of position while under pressure. Branches must be cut off the trunk.

- **DON'T OVERREACH**

Keep proper footing and balance at all times. Never stand on log splitter. Serious injury could occur if the tool is tipped or if the cutting tool is unintentionally contacted. Do not store anything above or near the log splitter where anyone might stand on the tool to reach it.

- **AVOID INJURY FROM UNEXPECTED ACCIDENT**

Do not straddle or reach across the splitting area when operating the log splitter. Never pile logs to be split in a manner that will cause you to reach across the log splitter. Only use your hands to operate the control levers. Never use your foot, knee, a rope or any other extension device. Always pay full attention to the movement of the wedge ram. Never attempt to load your log splitter while the ram is in motion. Keep hands out of the way of all moving parts. Never try to split two logs on top of each other. One of them might fly up and hit you.

- **PROTECT YOUR HANDS**

When the ram of the log splitter is in the return mode, keep your hands off the machine – the log splitter is designed to automatically stop when the cylinder is full retracted. Keep your hands away from splits and cracks which open in the log. They may close suddenly and crush or amputate your hands. Lower the wedge until the log is split open. Do not remove jammed logs with your hands.

- **DON'T FORCE TOOL**

It will do a better and safer job at its design rate. Don't use log splitter for a purpose for which it was not intended. Do not, under any circumstances, alter your log splitter. This equipment was designed and engineered to be used in accordance with the operating instructions. Altering the equipment, or using the equipment in such a way as to circumvent its design capabilities and capacities, could result in

serious or fatal injury and will void the warranty. Never try to split logs larger than those indicated in the specifications table. This could be dangerous and might damage the machine.

- **NEVER LEAVE TOOL RUNNING UNATTENDED**

Don't leave tool until it has come to a complete stop.

- **DISCONNECT POWER**

Unplug when not in use, before making adjustments, changing parts, cleaning or working on the log splitter. Consult technical manual before servicing.

- **MAINTAIN YOUR LOG SPLITTER WITH CARE**

Always clean the unit after each use. Keep the log splitter clean for best and safest performance. Follow instructions for lubricating. Inspect all hydraulic seals, hoses and couplers for leaks prior to use. Control levers and power switch must be kept clean, dry and free from oil and grease at all times.

- **PROTECT THE ENVIRONMENT**

Take used oil to an authorized collection point or follow the stipulations in the country where the log splitter is used. Do not discharge into drains, soil or water.

- **MAKE THE WORKSHOP CHILDPROOF**

Lock the shop. Store the log splitter away from children and others not qualified to use it.

## **SPECIAL WARNINGS AND INSTRUCTIONS**

- *The splitting operation of the machine is designed to be activated by one person. While there is the possibility that additional operators could be working with the machine (e.g. for loading and unloading), only one operator should activate splitting operations;*
- *The machine shall not be used by children;*
- *Description of functional tests of the machine;*
- *The installation and maintenance requirements including a list of those devices e.g. two-hand control device which should be verified, how frequently the verification shall be carried out and by what method;*
- *Never attempt to remove a log which has got stuck on the wedge by hand. Lower the wedge until the log is completely split;*
- *If a log becomes stuck on the wedge at the bottom position, press the handle with one hand and turn off the machine with the other hand. Slightly knock the log by hammer to free it;*
- *Only qualified person can assemble the machine.*

## SPECIFICATIONS

Model		65887A	65886
Trade Name		VARI 8 TON SUPER FORCE	VARI 8 TON SUPER FORCE
Motor		230 V ~ 50 Hz 13 A S6 40 % 3000 W	400 V 3N~ 50 Hz 7,1 A S6 40 % 3000 W
Log Size Capacity	Diameter	8 – 30 cm	
	Length	10-55 cm	
Maximum Force		9 t	
Hydraulic Pressure		25 MPa	
Hydraulic Oil Capacity		6 l	
Ram Travel		550 mm	
Forward Speed		3.3 cm/sec.	3,1 cm/s
Retract Speed		16 cm/sec.	17,3 cm/s
Noise Pressure Level (LpA)		83,6 dBA under no load; 89,7 dBA under full load	
Vibration		< 2,5 m/s <sup>2</sup>	
Overall Sizes	Length	84,5 cm	
	Width	93,5 cm	
	Height	150 cm	
Weight		109,9 kg	108,8 kg

\* S6 40 %, continuous operation periodic duty: time of one load cycle is 10 minutes, operation time at constant load is 4 minutes, operation time at no-load is 6 minutes.

## APPLICATION CONDITIONS

This log splitter is designed for operating under ambient temperatures between +5°C and +40°C and for installation at altitudes not more than 1000 m above M.S.L. The surrounding humidity should be less than 50 % at 40°C. It can be stored or transported under ambient temperatures between -25°C and +55°C.

## ELECTRICAL REQUIREMENTS

For model 65887A:

With 230 Volt / 50 Hz motor, the log splitter should be connected to a standard 230V ± 10 % / 50Hz ± 1 % electrical supply which has protection devices of under-voltage, over-voltage, over-current (16 A) as well as a residual current device (RCD) with maximum residual current rated at 0.03 A. Electrical connection rubber cables must comply with IEC 60245, which is always marked with symbol H 07 RN. Cables should be identified, as it is a legal requirement. The cable is not supplied with the machine.

For model 65886:

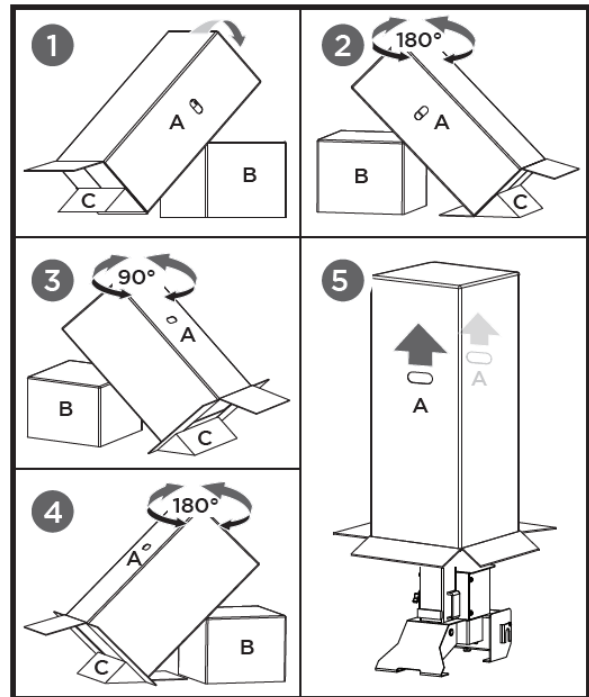
With 3 phase 400 Volt / 50 Hz motor, the log splitter should be connected to standard 400V ± 10 % / 50 Hz ± 1 % electrical supply which has protection devices of under-voltage, over-voltage, over-current as well as a residual current device (RCD) with maximum residual current rated at 0.03 A. The mains connection and extension



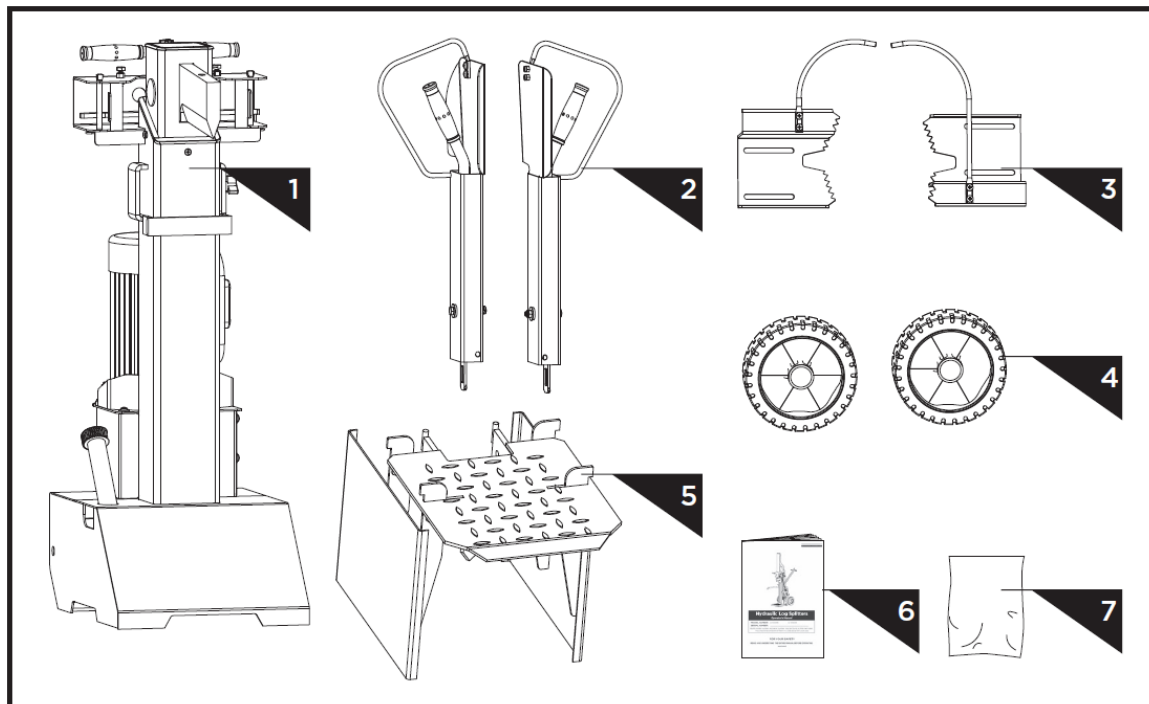
cable must have 5 wires = 3P + PE (3/PE). The mains connection must have maximum 16 A fuse. Electrical connection rubber cables must comply with IEC 60245, which is always marked with symbol H 07 RN. Cables should be identified, as it is a legal requirement. The cable is not supplied with the machine.

## UNPACKING

At least 2 people are required to unpack the log splitter package. Take the following steps to put the Log Splitter on the ground by tipping every side of the carton by 45 degree. Make sure to put Block (B) to support the Log Splitter package (A) at the point a little higher than the middle. The other side of Block (B) shall be against a steady object, such as a wall. Wedge (C) shall be arranged under the tipped Log Splitter Package (A) in every step to avoid slipping. Then remove the carton off the Log Splitter.

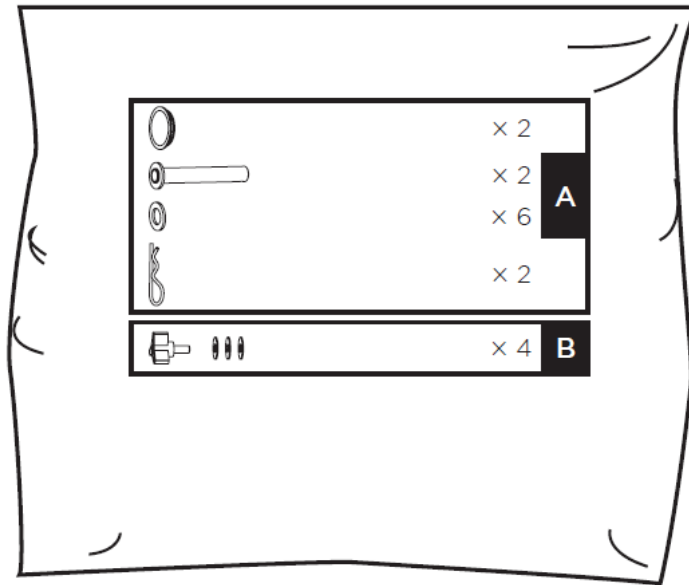


## CONTENTS OF THE SHIPPING CONTAINER



1. Log Splitter Frame
2. Control Lever and Guard Assy (1 pair)
3. Adjustable Log Holder (1 pair)
4. Wheels (1 pair)
5. Support Table
6. Operator's Manual

7. Hardware Bag, including:



## KNOW YOUR MACHINE

*Transport Handle*

*Split Wedge*

*Ram*

*Log Holder Adjusting Knob*

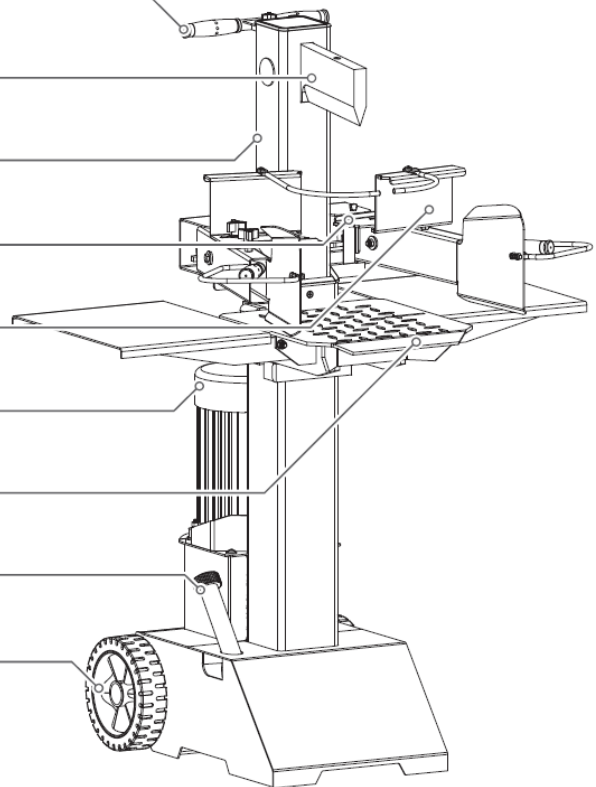
*Adjustable Log Holder*

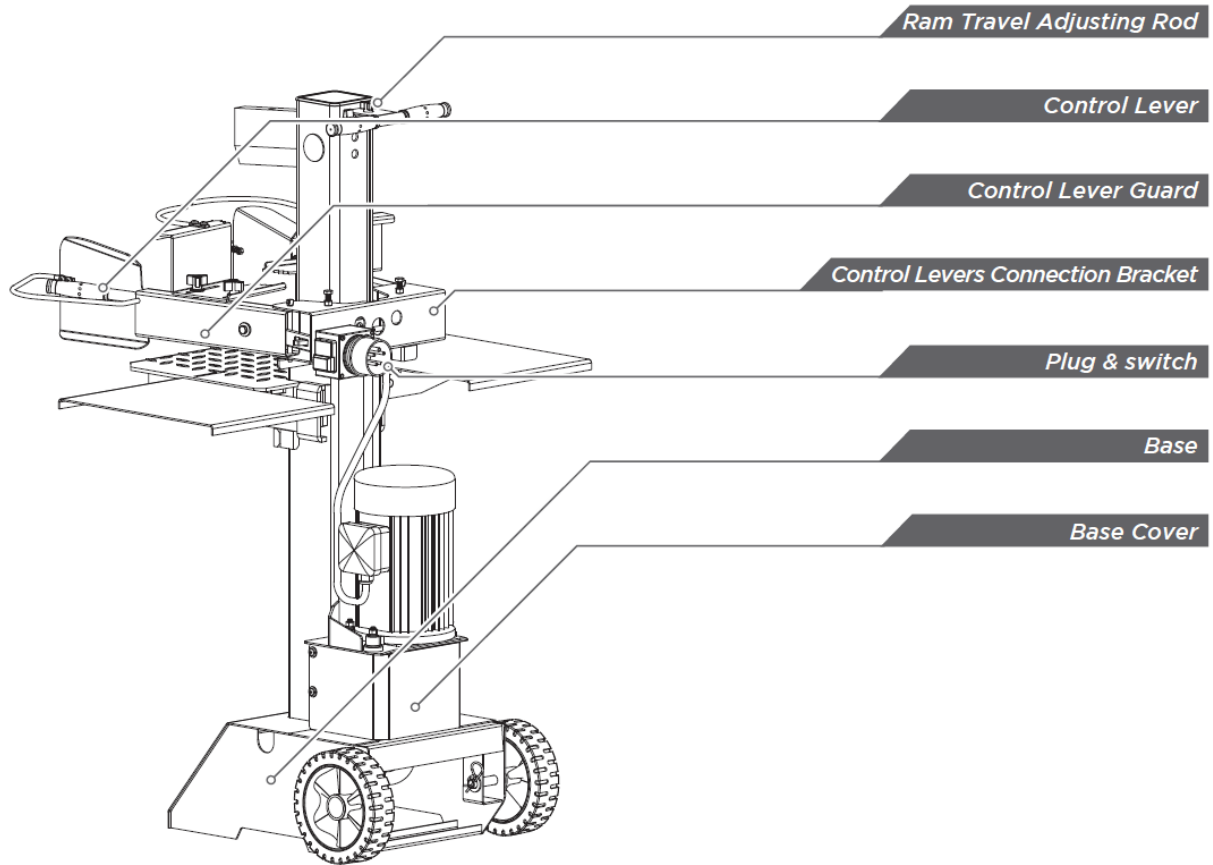
*Motor*

*Support Table*

*Oil Tank Cover / Air Bleeder*

*Wheels*

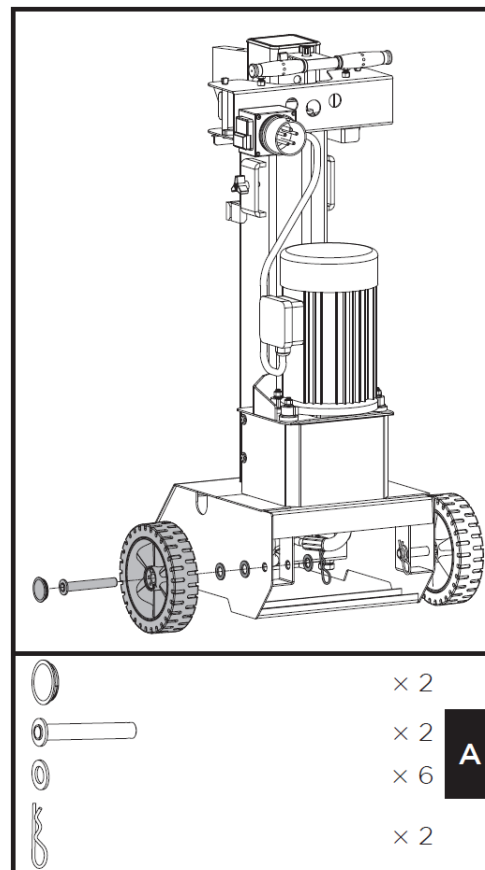




## ASSEMBLY

### Wheels

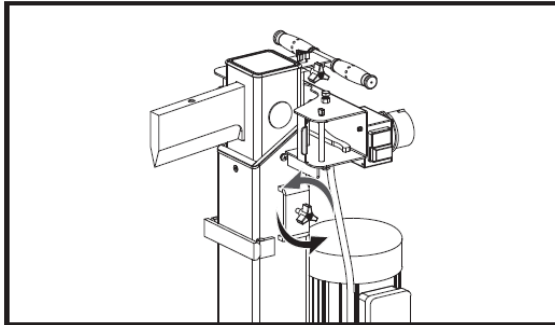
1. Pass the axle through the wheel from outside and put on two washers as shown in the following figure. Slide the axle into the two holes on the base of log splitter and secure it with another washer and R-pin from inside. Put on the wheel cap.



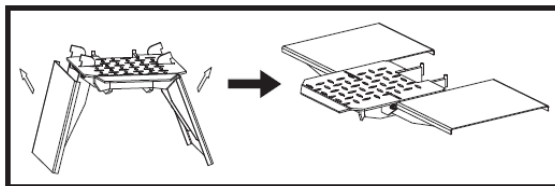
2. Repeat the same steps to mount the wheel on the other side.

## Support Table

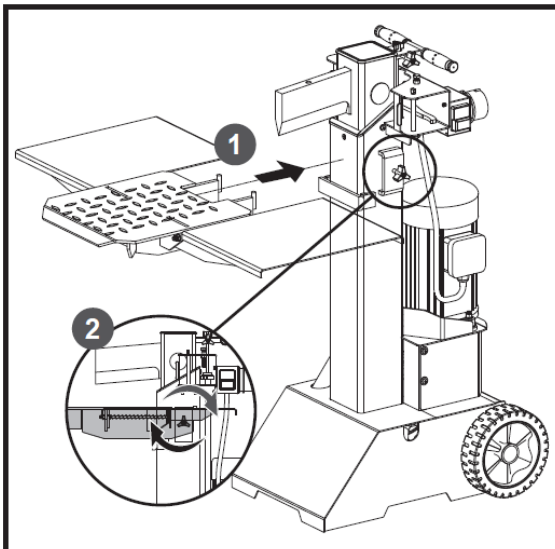
1. Before assembly, loosen the star knob by turning it counter clockwise.



2. Unfold the log support table, make the three parts of it at the same surface level.



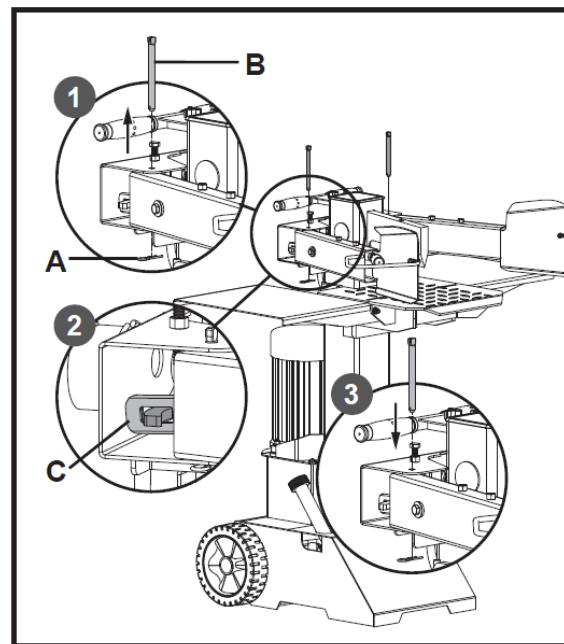
3. Insert the hooks of the log support table into the mount brackets.



4. Tighten the star knob.

## Control lever

Pull Spring Pin (A) to remove the Lock Pin (B). Apply a thin coat of grease to both surfaces of the Control Lever Guard as illustrated. Insert the Control Lever and Guard Assy and make sure the Control Lever End goes into the slot of Connection Bracket (C). Lock the Control Lever and Guard Assy. down with the Lock Pin (B) and Spring Pin (A). Follow the same steps to install the other Control Lever and Guard Assy on the other side.

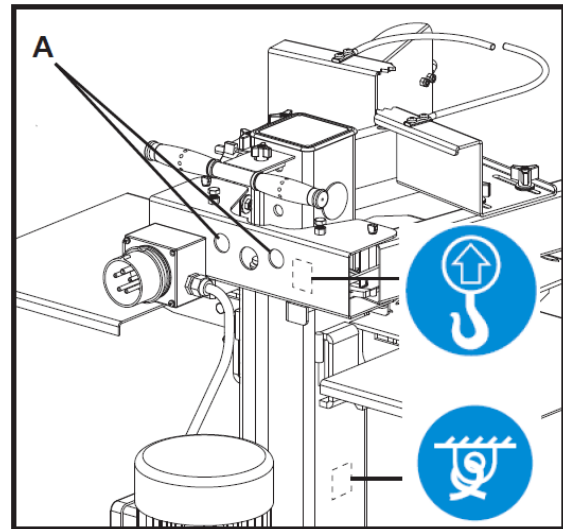
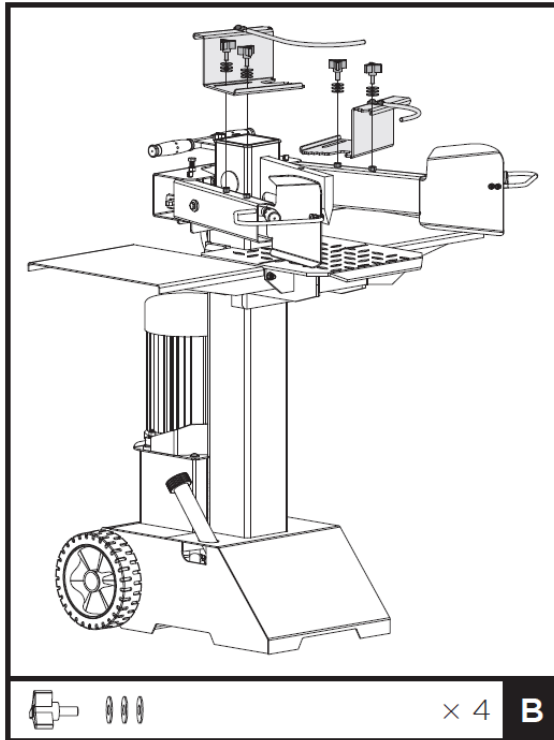


**Check both sides after assembly. The control levers must be placed in the slots of connection brackets.**

## Adjustable Log Holder

Secure the log clamps on the armguards with star knobs and flat washers. Each star knob with three flat washers.

## DELIVERING LOG SPLITTER TO WORK SITE



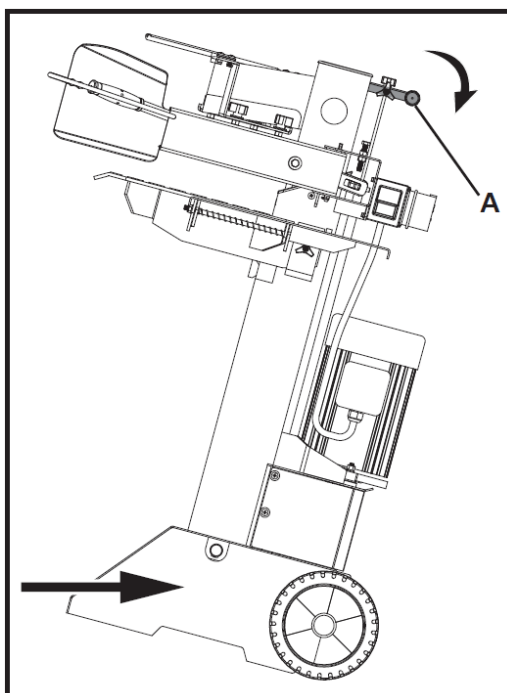
If using a crane, lay hoist sling at the lifting point (A).



For long distance transport, fasten the log splitter at the position with bundling sign after lifting it into the truck, to avoid free movement during transportation.

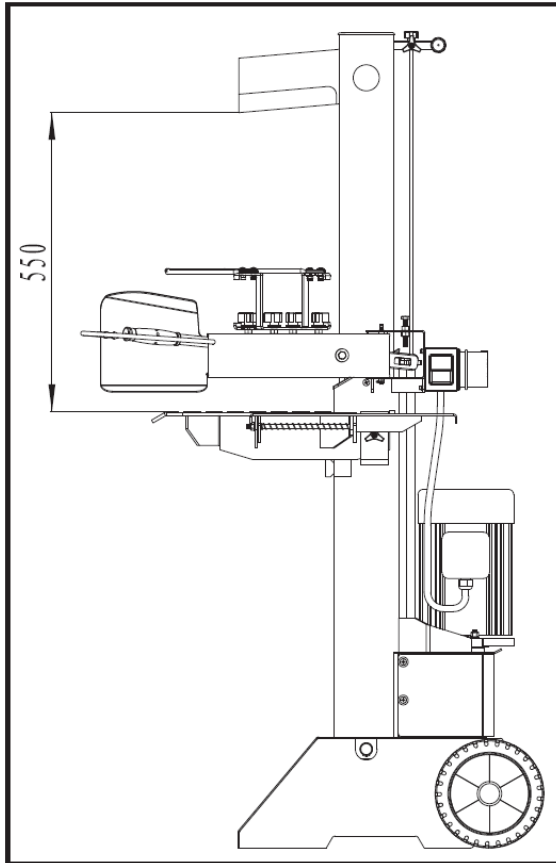
## TRANSPORT

The log splitter is equipped with 2 wheels for minor moving. To move the log splitter to the work site, grip the handle (A) to tilt the log splitter slightly after making sure the oil tank cover is tightened.



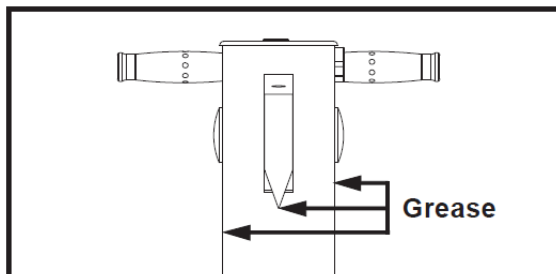
## SPLITTER OPERATION

1. Plan your work site. Work safely and save effort by planning your work beforehand. Have your logs positioned where they can be easily reached. Have a site located to stack the split wood or load it onto a nearby truck or another carrier.
2. Prepare the logs for splitting. This splitter accommodates logs up to 105 cm in length. When cutting up limbs and large sections, do not cut sections longer than 105 cm.



**Do not attempt to split green logs. Dry, seasoned logs split much more easily, and will not jam as frequently as green wood.**

3. Applying a thin coat of grease to the surfaces of the ram before operation will lengthen the durability of the ram.



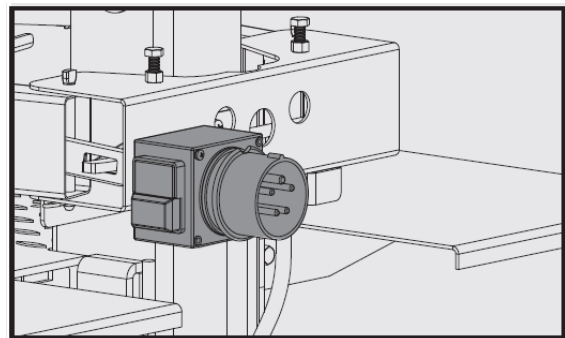
4. Route the power cord. Route the cord from the power source to the splitter in a way that safeguards against tripping on the cord or the cord becoming damaged during the

work session. Protect the power cord from impacts, pulling or corrosive materials.

5. Open the Air Bleed. Loosen the oil tank cover a few turns whenever the splitter is being used. Retighten this cover when you finish.

**Only for model 65586:**

6. Make sure the direction of motor rotation is correct. Turn the motor on; the wedge ram should rise to the highest position automatically. If the wedge ram is already at the highest position when the motor starts, grip both control levers and lower them, the wedge ram should start to move downward.



If no ram motion is detected after the motor starts, power off the motor immediately to change motor polarity by turning the pole switching device inside the plug with a screwdriver.



**Never allow motor running at counter direction. This will damage the pump and will void the warranty.**

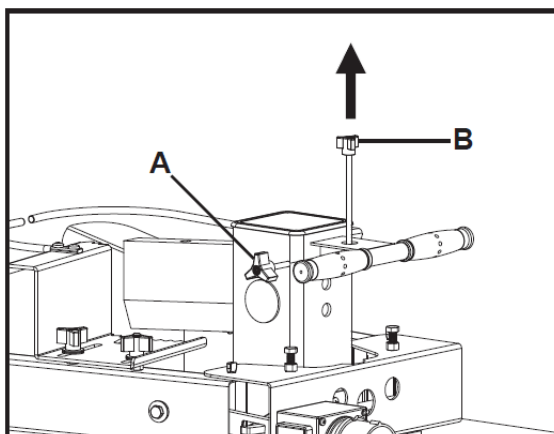
7. While operating under extremely low temperature, keep the log splitter running under no load for 15 minutes to preheat the hydraulic oil.

8. Before initial operation, check to be sure the two-handed operation is properly functioning by following steps:

- (1) Lower both control levers, splitting wedge lowers to approx. 5 cm above the take above the highest table position.
- (2) Release either of the levers; splitting wedge should remain in the original position.
- (3) Release both levers; the ram should rise to the highest position automatically.

9. To set wedge ram stroke, take the following steps:

- (1) Move splitting wedge to desired position. The upper position of the ram wedge travel should be about 3-5 cm over the logs to be split.
- (2) Release a control lever or switch off motor.
- (3) Release the Setscrew (A) with L key. Raise Adjusting Rod (B) until Adjusting Rod (B) is started to be stopped by the spring inside. Tighten the Setscrew (A).
- (4) Release both control levers or switch on motor.
- (5) Check upper position of splitting wedge.

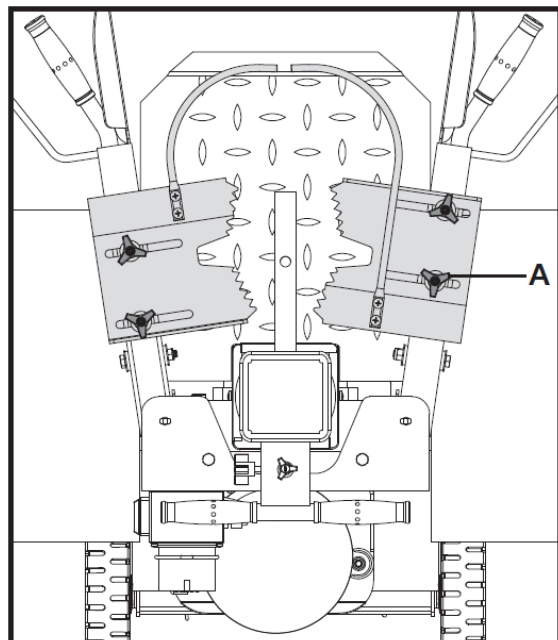


10. Place log onto splitter. Place the log onto the support table vertically and sitting flat on the support table. Be sure the wedge and support table will contact the log squarely on the ends. Never attempt to split a log at an angle.

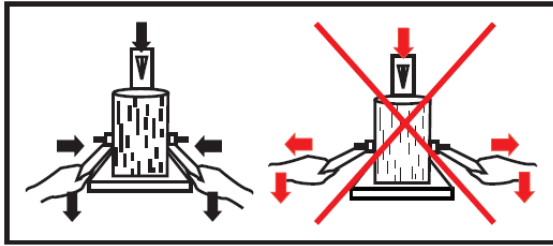


**Break log in the direction of its growing grain. Do not place log across the log splitter for splitting. It may be dangerous and may seriously damage the machine.**

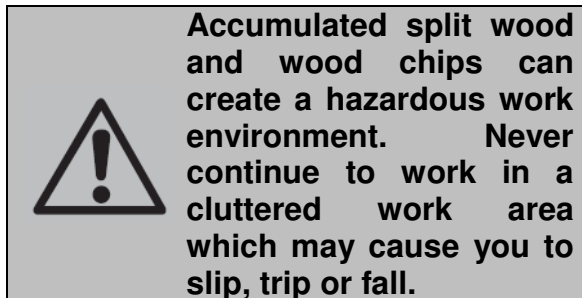
11. Adjust the Log Holders (A) according to the diameter of the log to obtain most comfortable Control Levers angle.



12. Hold the log with clamping brackets closely in the control lever guards. Lower levers to start the splitting. Releasing either lever stops the motion of the splitting wedge. Releasing both handles returns the splitting wedge to the upper position.



13. Stack as you work. This will provide a safer work area, by keeping it uncluttered, and avoid the danger of tripping, or damaging the power cord.



## REPLACING HYDRAULIC OIL

The hydraulic system is a closed system with oil tank, oil pump and control valve. Check oil level regularly with dipstick. Low oil levels can damage the oil pump. Oil Level should measure approx. 1 - 2 cm lower than the upper surface of the oil tank. The oil should be completely changed once a year.

- Make sure moving parts are stopped and the log splitter is unplugged.
- Make sure that no dirt or debris finds its way into the oil tank.
- Collect used oil and responsibly recycle.
- Following an oil change, activate the log splitter a few times without actually splitting.

Following hydraulic oils or equivalent are recommended for the log splitter's hydraulic transmission system:

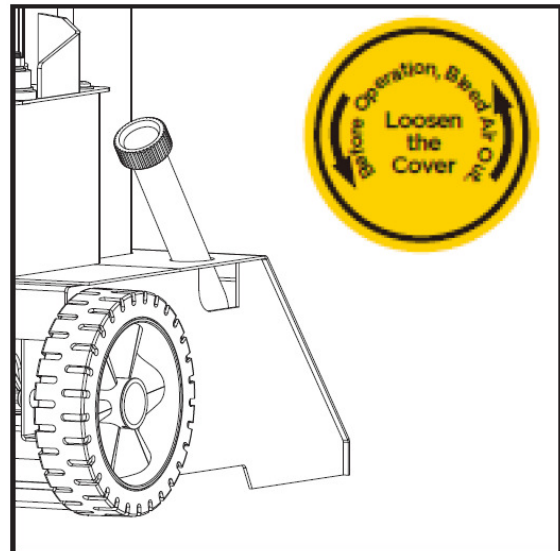
SHELL Tellus 22

MOBIL DTE 11

ARAL Vitam GF 22

BP Energol HLP-HM 22

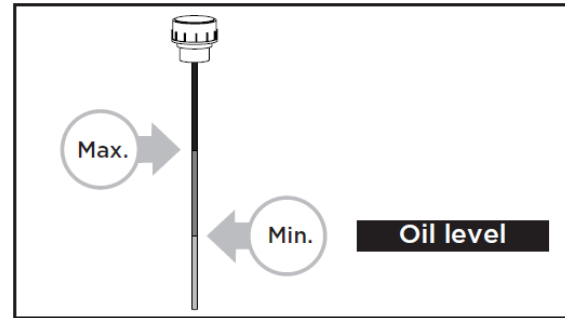
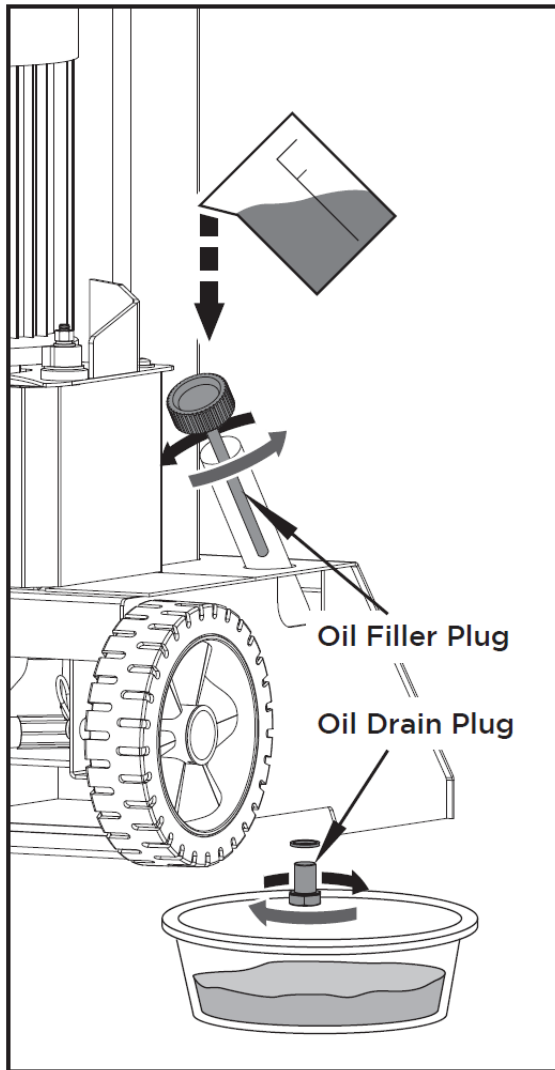
Mogul/Paramo OTHP 3



Use a drain pan to aid in the removal of all used oil and particles.

Remove oil drain plug to drain oil from the hydraulic transmission system. Examine oil for metal chips as a precaution to future problems.





**Read dipstick to determine the maximum and minimum of the oil level. Low oil can damage the oil pump. Overfilling can result in excessive temperature in the hydraulic transmission system.**

## SHARPENING WEDGE

This log splitter is equipped with reinforced splitting wedge which blade is specially treated. After long periods of operation, and when required, sharpen the wedge using a fine-toothed file removing any burrs or flat spots on the edge.

## TROUBLESHOOTING

PROBLEM	PROBABLE CAUSE	REMEDY SUGGESTED
Motor does not start.	No current in the socket.	Check mains fuse.
	Electrical extension line defective.	Unplug, check and replace.
	Incorrect connection line 3~400 V.	5-line connection at 1.5 mm diameter.
	Switch or capacitor defective.	Have checked by electrician.
Incorrect motor rotation direction.	Incorrect connection.	Change pole-switching device in the plug with a screwdriver.
		Reverse polarity by electrician.

Log Splitter does not work while motor running.	Valve is not opened owing to the connection parts loosening.	Check and tighten the parts.
	Control Levers or Connection parts bent.	Repair the bent parts.
	Lower hydraulic oil level.	Check and refill hydraulic oil.
Log Splitter works with abnormal vibration and noise.	Lower hydraulic oil level.	Check and refill hydraulic oil.

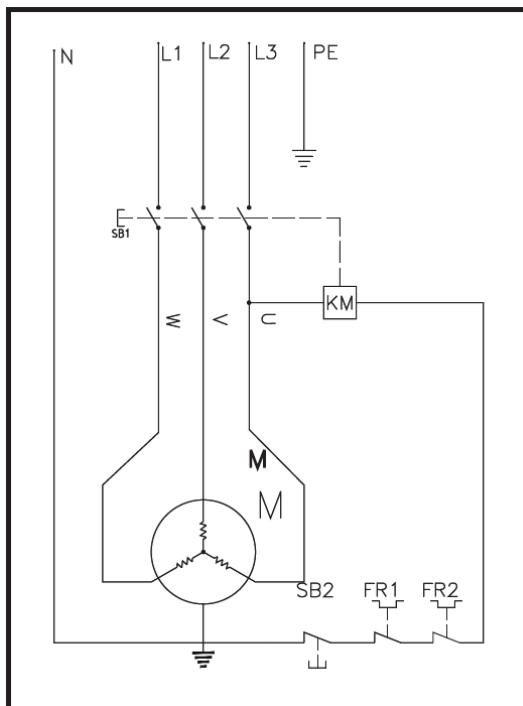
\* The shaded part is only used for the model 65886.



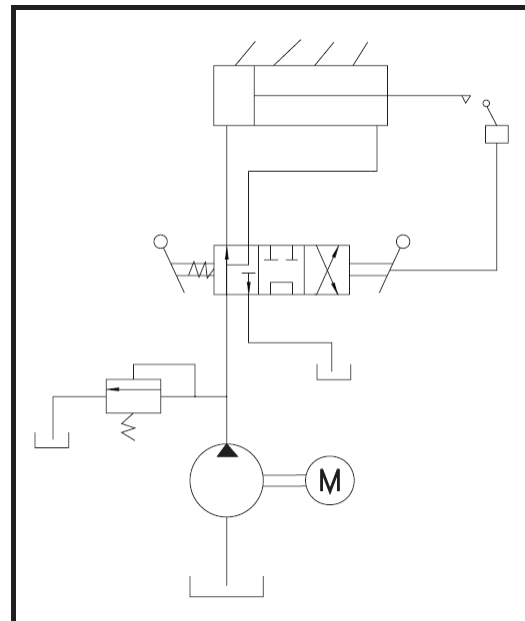
**ATTENTION: ALL REPAIR WORK MUST BE DONE BY A SPECIALIST FOR THIS PRODUCT.**

## WIRING DIAGRAM

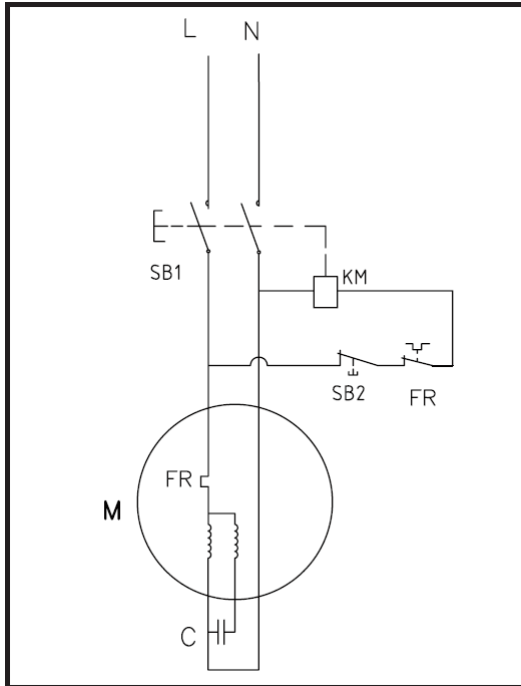
FOR MODEL 65886:



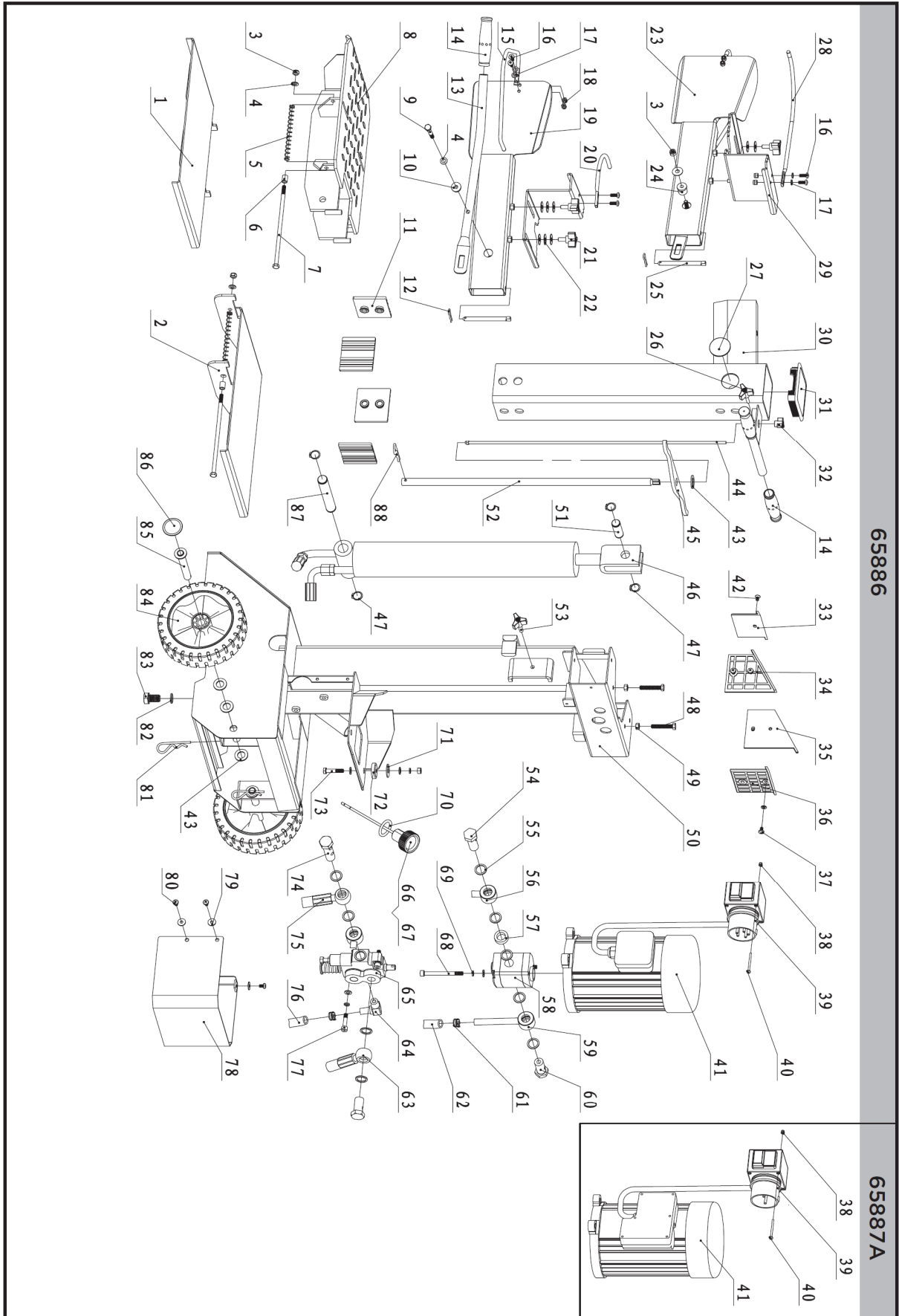
## PLUMBING DIAGRAM



FOR MODEL 65887A:



**PART LIST**



65886

65887A

Pos.	Part No.	Name	Pcs	Pos.	Part No.	Name	Pcs
1	208001	Side log support 2	1	43	208043	Washer 16	7
2	208002	Side log support 1	1	44	208044	Pull rod G5	1
3	208003	Locknut M8	4	45	208045	Lever C1	1
4	208004	Washer 8	8	46	208046	Cylinder C1	1
5	208005	Spring	2	47	208047	Circlip 22	4
6	208006	Bush	2	48	208048	Bolt M8x50	2
7	208007	Bolt 8,8 M8x210	2	49	208049	Nut M8	5
8	208008	Log support C1	1	50	208050	Main frame C1	1
9	208009	Bolt 8,8 M8x60	2	51	208051	Short shaft D	1
10	208010	Bush 2	2	52	208052	Tube C1	1
11	208011	Lining plate	4	53	208053	Star knob (black)	1
12	208012	Clip 2,5	2	54	208054	Oil plug A1	1
13	208013	Handle C1	2	55	208055	Washer groupware 20	10
14	208014	Handgrip	4	56	208056	Oil hose C1	1
15	208015	Guard ring C1	2	57	208057	Collar	1
16	208016	Screw M6x16	8	58	208058	Gear pump C1	1
17	208017	Washer 6	6	59	208059	Nozzle C1	1
18	208018	Locknut M6	8	60	208060	Oil plug A2	2
19	208019	Right armguard C1	1	61	208061	Hose clamp 18-23 (24)	4
20	208020	Retainer 1	1	62	208062	Oil hose 13	1
21	208021	Star knob	4	63	208063	Oil hose C1	1
22	208022	Big washer 8	19	64	208064	Nozzle A	1
23	208023	Left armguard C1	1	65	208065	CCA valve	1
24	208024	Bush 1	2	66	208066	Oil cap K	1
25	208025	Pin C1	2	67	208067	Oil dipstick KG	1
26	208026	Star knob M6	1	68	208068	Screw M8x90	2
27	208027	Cap	2	69	208069	Spring Washer 8	7
28	208028	Retainer 2	1	70	208070	O-ring 25x2,65	1
29	208029	Clamp	2	71	208071	Big washer 10	3
30	208030	Splitting pipe G5	1	72	208072	Motor support	3
31	208031	Square cap	1	73	208073	Bolt 8,8 M8x45	3
32	208032	Star knob M5 (black)	1	74	208074	Oil plug A6	1
33	208033	Upper lining plate 2-C	1	75	208075	Oil hose C1	1
34	208034	Upper lining plate 4	1	76	208076	Oil hose 13	1
35	208035	Upper lining plate 3	1	77	208077	Screw M8x35	2
36	208036	Upper lining plate 1	1	78	208078	Shield C1	1
37	208037	Screw M6x8	1	79	208079	Big washer 6	3
38	208038A	Locknut M4 (motor 230 V)	2	80	208080	Screw M6x10	5
38	208038B	Locknut M4 (motor 400 V)	2	81	208081	Clip 3	2
39	208039A	Switch (motor 230 V)	1	82	208082	Washer groupware 16	1
39	208039B	Switch (motor 400 V)	1	83	208083	Bolt M16x25	1
40	208040A	Screw M4x60 (motor 230 V)	2	84	208084	Wheel	2
40	208040B	Screw M4x60 (motor 400 V)	2	85	208085	Wheel axle C1	2
41	208041A	Motor 230 V	1	86	208086	Wheel cap	2
41	208041B	Motor 400 V	1	87	208087	Long shaft A4	1
42	208042	Screw M6x10	1	88	208088	Clip 4	1

## DISPOSAL OF PACKAGING AND MACHINE AFTER THE END OF SERVICE LIFE

After unpacking the machine, you are obliged to provide for the disposal of packaging material with taking into account the use of secondary raw materials according to the legislation valid in your country and with respect to the decrees of local town or municipal authorities.

The following procedure is recommended for machine disposal after the end of its service life:

1. Dismount all parts from the machine that can still be used.
2. Dismount plastic machine parts and parts made of non-ferrous metals. The dismantled machine remainder and the dismantled parts are to be disposed according to the legislation valid in your country and with respect to the decrees of local town or municipal authorities.
3. Regarding waste from the electrical device, use the opportunity of **return buy-out** in the shop, where you purchased the device (**points 1 and 2 are not valid in this case**).
4. The machine is in accordance with the RoHS Directive (2011/65/EU).
5. The product is in accordance with the requirements of the above-mentioned EC Directive regarding the quantities of forbidden dangerous substances.



**This pictograph means that the product was introduced on the market after 13<sup>th</sup> September 2005 and shall not be disposed to a waste container or a dustbin.**

## INSTRUCTIONS FOR ORDERING SPARE PARTS

The following data are to be used for an easier identification when ordering the spare parts:

1. Machine type, engine type, machine serial number and year of manufacture;
2. Ordering number given by manufacturer and its name in the part list;
3. Number of ordered pieces separately for each item;
4. Precise address, telephone number, fax number or e-mail address;
5. Should you be uncertain about the correct identification of the component, send the damaged component either to the nearest service shop or directly to the manufacturer;
6. All components should be ordered in the nearest service shop or at your dealer's.

In the case of any confusions concerning the spare parts or technical issues, the VARI a. s. commercial, customer-service or technical departments are prepared to answer all your inquiries.

**ADDRESS OF THE MANUFACTURER**

TIYA Hydraulics Co., Ltd., Fuqian Street North, Gaoze, 262300 Wulian, Shandong, P. R. China; TIYA Hydraulics Co., Ltd. is a production facility of TIYA International Co., Ltd.

**ADDRESS OF THE IMPORTER AND DISTRIBUTOR**

VARI, a. s.	phone:	(+420) 325 637 276
Opolanska 350	fax:	(+420) 325 607 264
Libice nad Cidlinou	e-mail:	<a href="mailto:vari@vari.cz">vari@vari.cz</a>
CZECH REPUBLIC	internet:	<a href="http://www.vari.cz/">http://www.vari.cz/</a>
289 07		

**EC DECLARATION OF CONFORMITY<sup>1</sup>****Declaration of Conformity**

**We herewith declare**

that the following machine complies with the appropriate basic safety and health requirements of the EC Directive based on its design and type, as brought into circulation by us.

In case of alteration of the machine, not agreed by us, this declaration will lose its validity.

Description: Log Splitter  
Type: 65886, 65887A  
Test report No.: 17703687 009, 17707249 004

Applicable EC Directives: EC Directive of Machinery 2006/42/EC  
EC Low Voltage Directive 2014/35/EU  
EC Council Directive 2014/30/EU Electromagnetic  
Compatibility

Applicable Harmonized Standards: EN 60204-1:2006+A1:2009+AC:2010  
EN 609-1:2017  
EN 55014-1:2017  
EN 55014-2:2015  
EN 61000-3-2:2014  
EN 61000-3-11:2000

Name of Company: TIYA International Co., Ltd.  
Address: B12B, Shenye Center, 9 Shandong Road,  
Qingdao, China  
Tel: (532) 8582 3333  
Fax: (532) 8582 4444

Name / Title: Yuan Yue  
Director

Signature:



Place / Date: Qingdao, China / Oct. 10<sup>th</sup>, 2018

<sup>1</sup> The original declaration of conformity as issued by the manufacturer of the product.